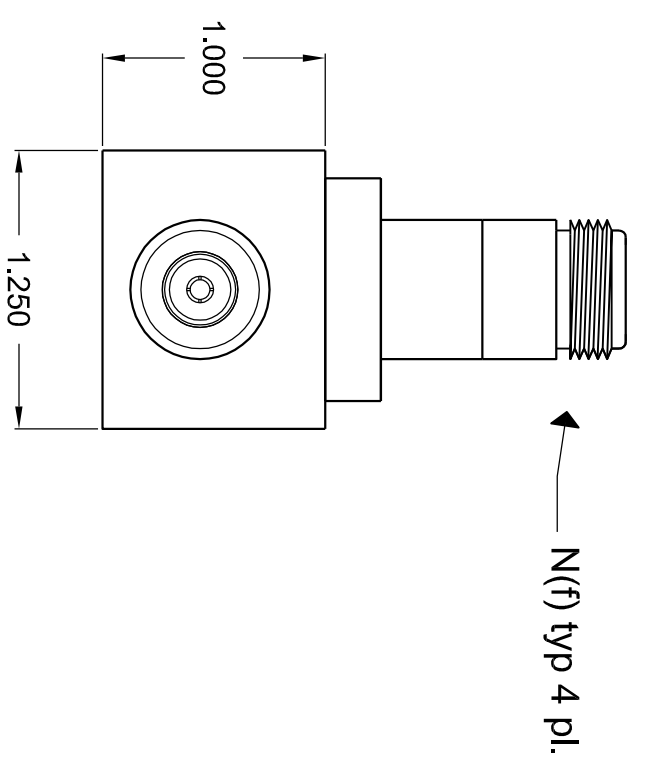
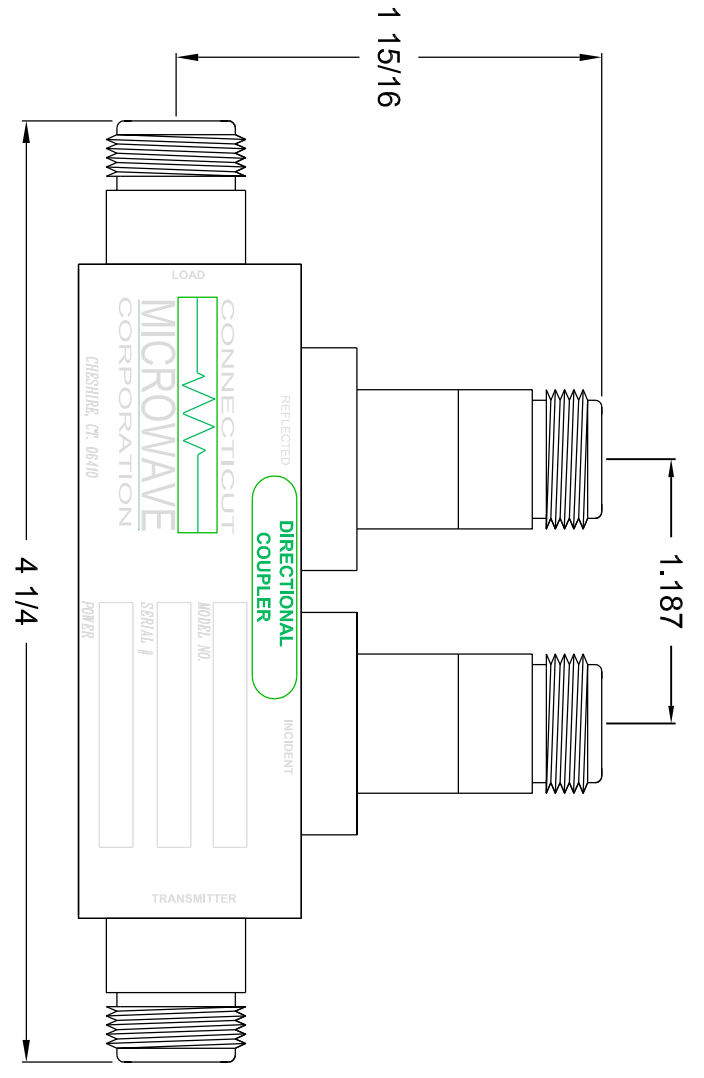
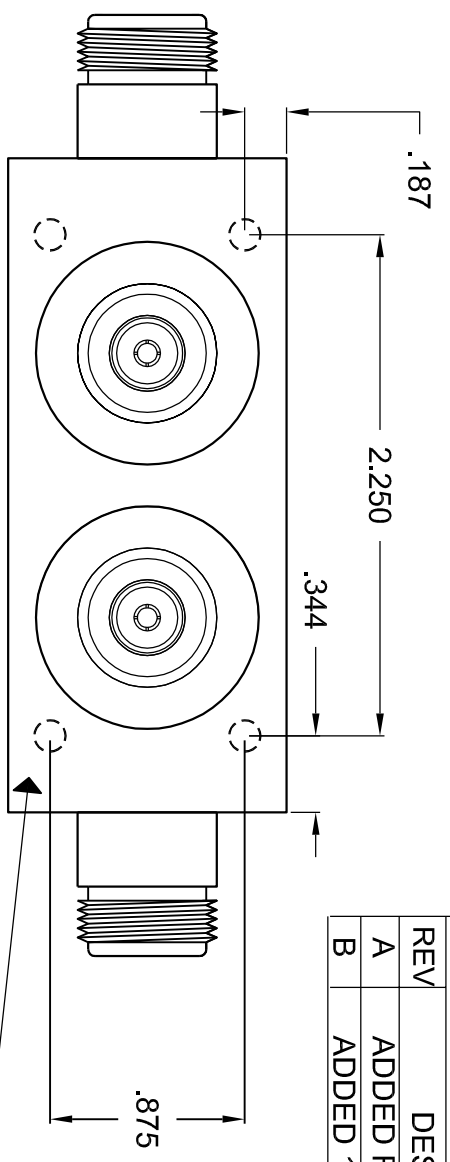


REVISIONS			
REV	DESCRIPTION	DATE	APPROVED
A	ADDED REVISED NAMEPLATE	2/8/98	
B	ADDED 1.875 DIM	9/4/08	



NOTE:

1. IRRIDITE FINISH
- 2.
- 3.

CM152.0020

CONNECTICUT MICROWAVE CORPORATION
1486 HIGHLAND AVE. CHESHIRE, CONNECTICUT 06410

OUTLINE BIDIRECTIONAL COUPLER

TOLERANCES (EXCEPT AS NOTED)	DECIMAL ±.005	FRACTIONAL ± 1/64	ANGULAR ± 1/2 DEG	REV B	DATE 4/29/96	MATL	DWN BY MD	SHEET
------------------------------	---------------	-------------------	-------------------	-------	--------------	------	-----------	-------