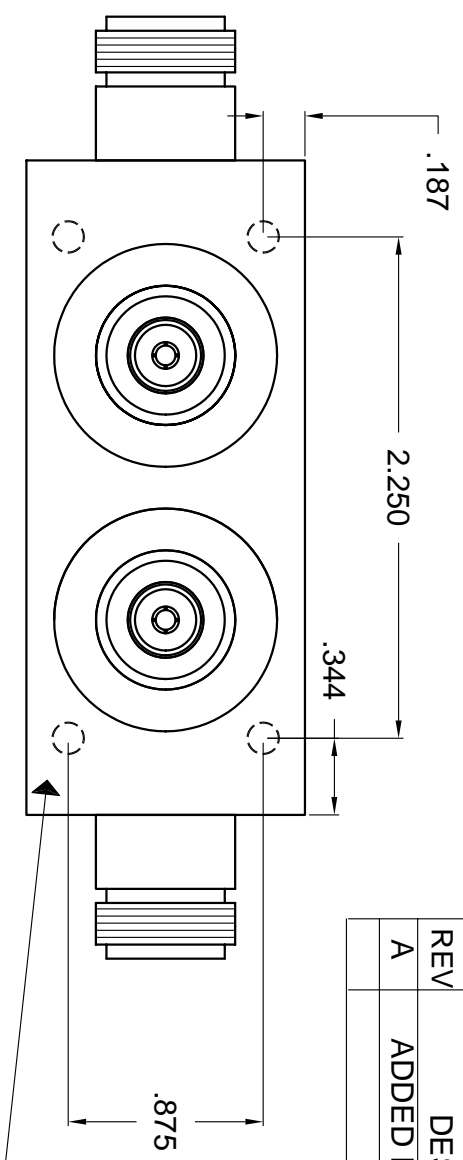
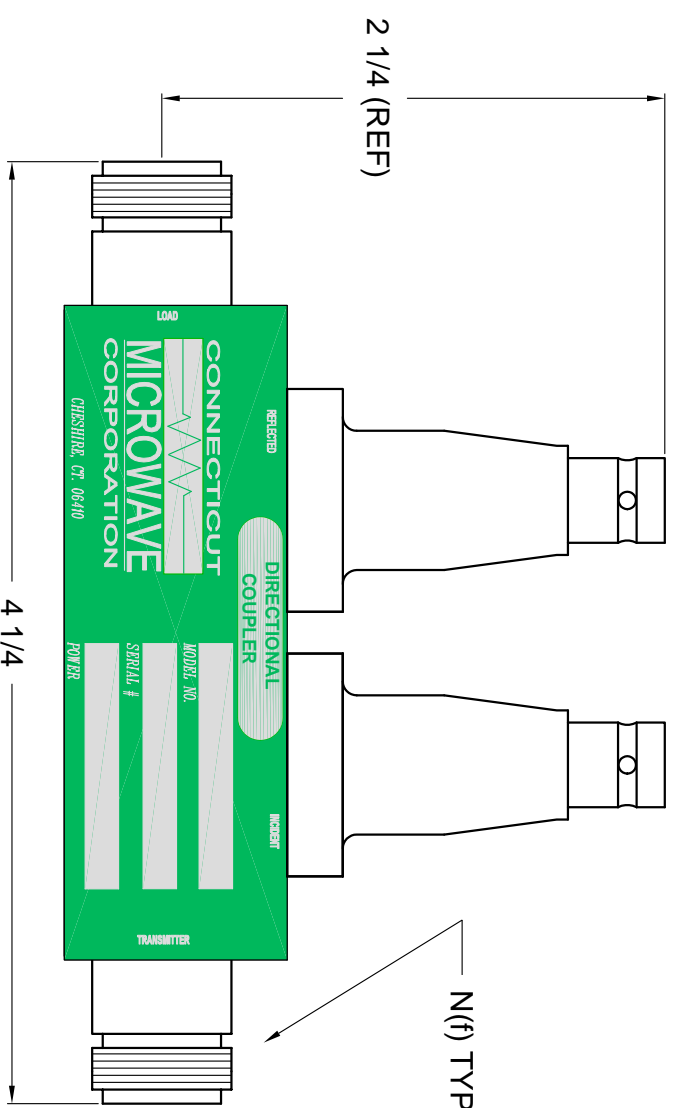


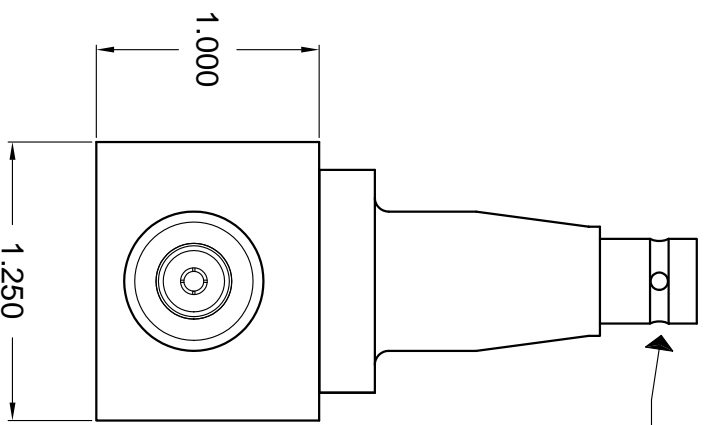
REVISIONS			
REV	DESCRIPTION	DATE	APPROVED
A	ADDED REVISED NAMEPLATE	2/8/98	



MOUNTING HOLES 6-32X1/4  
TYP 4 PL OPPOSITE SIDE



N(f) TYP 2 PL



BNC(f) typ 2 pl.

NOTE:

1. IRRIDITE FINISH
- 2.
- 3.

**CM152.0030**

CONNECTICUT MICROWAVE CORPORATION  
1486 HIGHLAND AVE. CHESHIRE, CONNECTICUT 06410

**OUTLINE BIDIRECTIONAL COUPLER**

TOLERANCES EXCEPT AS NOTED	DECIMAL ±.005	FRACTIONAL ± 1/64	ANGULAR ± 1/2 DEG	REV A	DATE 4/29/96	MATL	DWN BY MD	SHEET
----------------------------	---------------	-------------------	-------------------	-------	--------------	------	-----------	-------